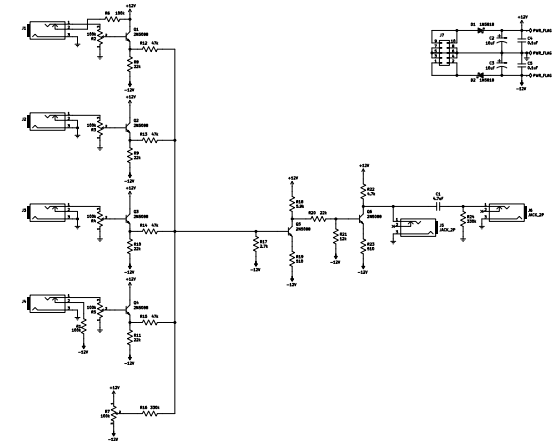


Typical Eurorack mixer with TL07x op amps.
80 integrated transistors.



North Coast MSK 011.
6 discrete transistors.

How many do you need?

www.northcoastsynthesis.com.